



## ZEX™ Nitrous Level Gauge (Part #82395)

Thank you for choosing ZEX™ products; we are proud to be your manufacturer of choice. Please read this instruction sheet carefully before beginning installation, and also take a moment to review the included limited warranty information. Contact us toll free at 1.888.817.1008 or at [www.ZEX.com](http://www.ZEX.com) with any questions.



The ZEX™ Nitrous Level Gauge is the perfect addition to any nitrous system. This gauge will help track available nitrous remaining in your nitrous oxide bottle. The ZEX™ Nitrous Level Gauge is easy to install and simple to operate. Before you begin installation, please check that the contents of your package match the list below:

- Gauge Assembly
- Wet Kit Resistor
- Electrical Connectors

**Note:** *If installing the Nitrous Level Gauge on a ZEX™ dry nitrous system, you will need to separately order resistor part number NS6773.*

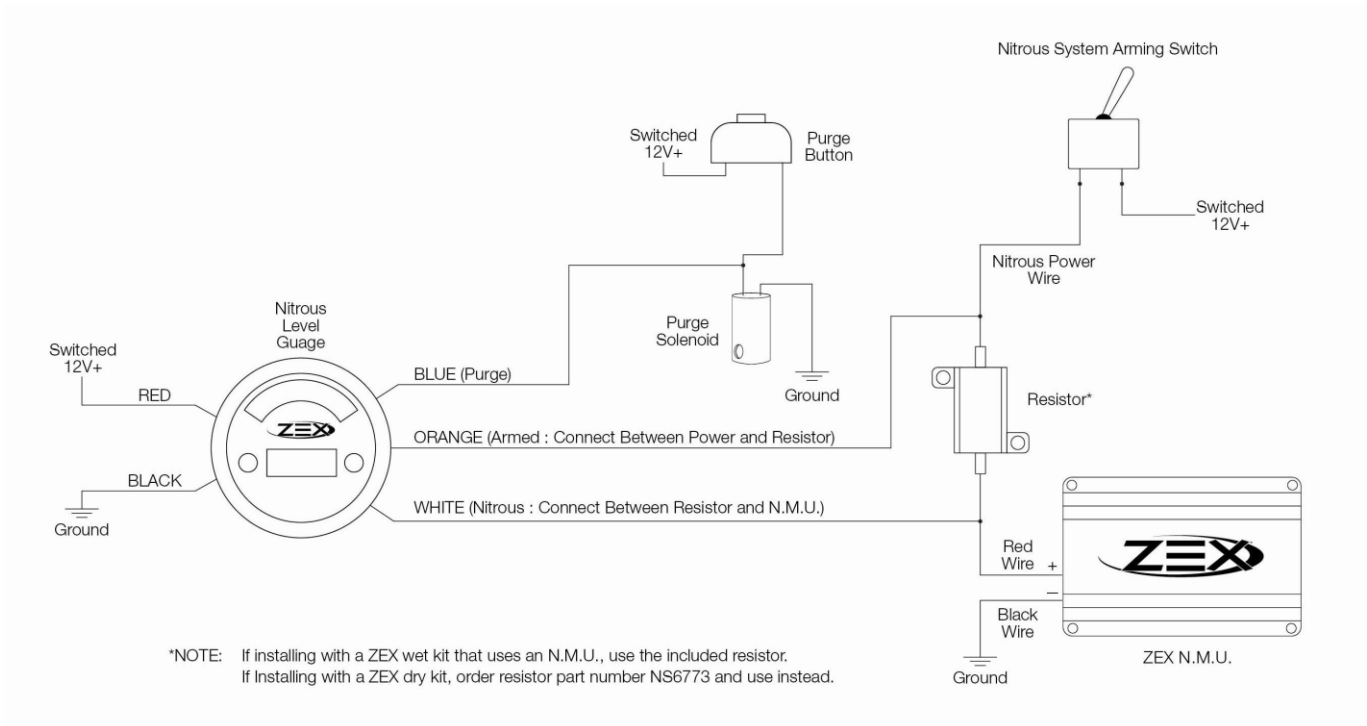
### **Installation Instructions:**

There are two types of installations depending on how the current nitrous oxide system is installed.

**If your system is a ZEX™ kit and uses our patented Nitrous Management Unit (NMU), please follow the instructions & wiring schematic shown below:**

1. Install the required resistor in line with the power source wire to the NMU.
2. The orange wire must be connected to the resistor on the power source side.

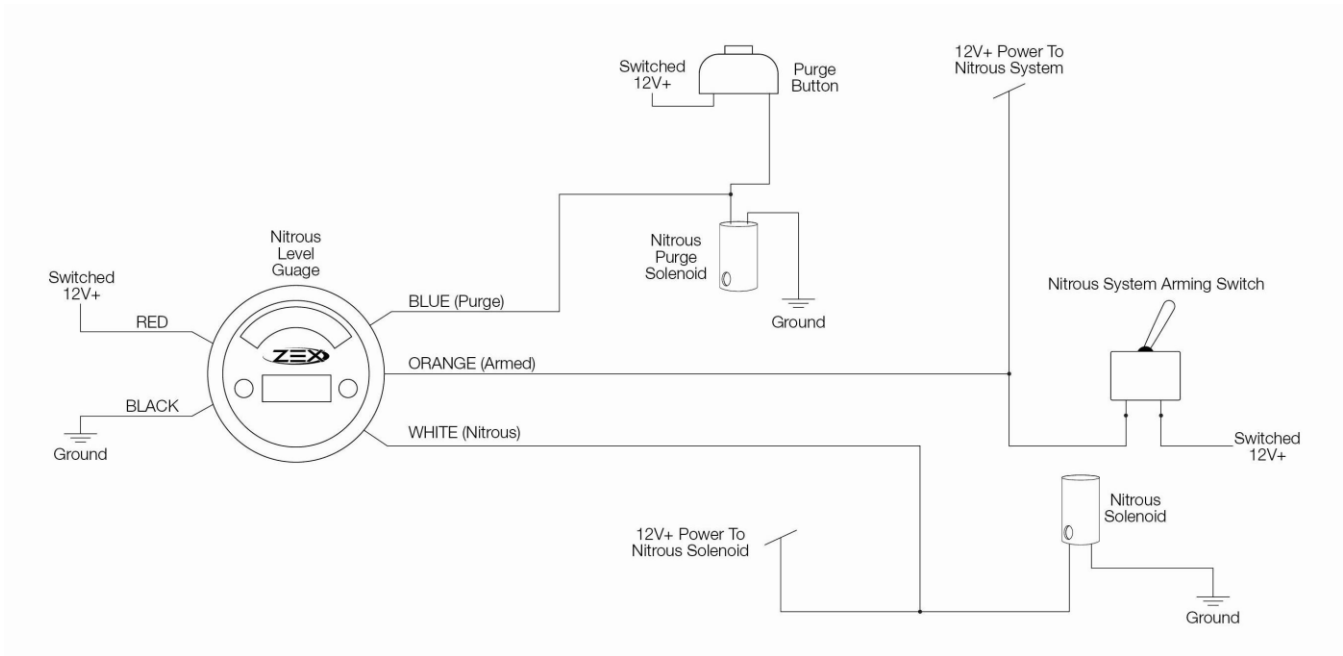
3. The white wire must be connected to the resistor on the NMU side.
4. If using a purge system, connect the blue wire to the positive side of the purge solenoid.
5. Connect the black wire to battery negative, and the red wire to battery positive.
6. Your gauge is now installed and ready for use.



**If you are installing the ZEX™ Nitrous Level Gauge on any nitrous system that uses external solenoids, the following instructions & wiring schematic will apply to your installation:**

**Note: This installation type does not require the use of the included resistor.**

1. Start the installation by connecting the white wire to the positive side of the nitrous solenoid.
2. The orange wire must be connected to the arming switch.
3. If using a purge system, connect the blue wire to the positive side of the purge solenoid.
4. Connect the black wire to battery negative, and the red wire to battery positive.
5. Your gauge is now installed and ready for use.



## **Operation Instructions:**

When the ZEX™ nitrous level gauge is powered up for the first time, it will automatically enter into the set up menu. If you need to make any changes after initial set up, you can enter the menu at any time using the following procedure:

With the vehicle's key off and the gauge powered down, hold down either the "Mode" or "+" button while turning the vehicle's key to the accessory-on position. The set up menu will appear. The set up menu is composed of four screens. To help track your progress through the menu, the bar graph will indicate which screen you are currently on. **Note: Pressing the right button labeled as '+' will change the value of the current menu setting. Pressing the left button labeled "Mode" will step to the next screen in the menu.**

### ❖ **Screen 1, setting installation type:**

- The bar graph will illuminate only the red LED.
  - 1 = Nitrous system uses a ZEX™ Nitrous Management Unit
  - 2 = Nitrous system uses external solenoids

❖ Press "Mode" to continue to the next screen.

### ❖ **Screen 2, setting bottle size:**

- The bar graph will illuminate only the yellow LEDs.
- This screen will accept bottle sizes from 1 lb. to a total of 30 lbs.
  - For example, if you have a 10 lb. nitrous bottle, you would set this screen to "10".
  - In another example, if you have two 10 lb. bottles, you would set this screen to 20.

❖ Press "Mode" to continue to the next screen.

❖ **Screen 3, setting kit size:**

- The bar graph will illuminate only the green LEDs.
- This screen will accept kit size, rated in horsepower, from 5 HP to 500 HP in 5 HP increments.
  - Holding the '+' button continuously will cause the value to increase in increments of 50 to make large changes quickly.

❖ Press "Mode" to continue to the next screen.

❖ **Screen 4, setting the level of LED dimming:**

- The bar graph will illuminate all LEDs.
- The ZEX™ Nitrous Level Gauge is equipped with a light sensor to auto-dim the LEDs during periods of low light conditions. This screen lets the user select the LEDs dimness level.
  - *If this screen is accessed during bright conditions it may appear blank while set to the lower dimmer settings. To properly set up this screen, it should be done in dark conditions. This screen starts at 1- the dimmest setting. As the '+' button is pressed the LEDs brighten. This screen accepts values from 1 to 10, at 10 no dimming will occur.*

❖ Pressing "Mode" this time will save your choices to memory. The gauge will enter run mode. At this point, the gauge is actively monitoring your nitrous oxide system for activation.

If you need to make changes to any setting, you can enter the menu at any time using the following procedure. With the vehicle's key off and the gauge powered down, hold down either the "Mode" or "+" button while turning the vehicle's key to the accessory-on position. The set up menu will appear.

Each time you refill your nitrous bottle you must inform the gauge of this change. To do so, hold both buttons for a few seconds while the gauge is in run mode. As you hold the buttons down the display will go blank. Once the display turns back on, you may release the buttons. The available nitrous oxide percentage should now show 100%.

**Quick Tips:**

The ZEX™ Nitrous Level Gauge monitors purge usage anytime, but the main nitrous system will only be monitored when the gauge is armed. When the gauge is armed, the "armed" LED will be illuminated in the center of the gauge face.

It is important that nitrous systems maintain proper bottle pressure (900-1000 psi), not only to maximize performance and engine safety, but also to ensure accuracy of the Nitrous Level Gauge. Using excessively high or low bottle pressures not only affects the performance of your nitrous system, it also affects the accuracy of the ZEX™ Nitrous Level Gauge.

While nitrous systems will provide large increases in power until the bottle is empty, maximum nitrous system performance and consistency will be achieved with a bottle fill of 50% or greater.

As with any electronic device, please ensure that each component of your nitrous system is connected to a clean electrical ground, free from electrical noises.

## Social Media

Stay up-to-date with the latest ZEX™ and COMP Performance Group™ company and product information by following us on any of our social media platforms.



## Limited Warranty

ZEX™ warrants that all of its products are free from defects in material and workmanship, and against excessive wear for a period of (1) one year from the date of purchase. This **limited warranty** shall cover the original purchaser.

**The obligation of ZEX™ under this warranty is limited to the repair or replacement of its product.** To make a warranty claim, the part must be returned within (1) one year of purchase to the address listed below, freight prepaid. Items covered under warranty will be returned to you freight collect.

**It is the responsibility of the installer to ensure that all of the components are correct before installation. We assume no liability for any errors made in tolerances, component selection, or installation.**

**There is absolutely no warranty on the following:**

- A) Any parts used in racing applications;**
- B) Any product that has been physically altered, improperly installed or maintained;**
- C) Any product used in improper applications, abused or not used in conjunction with the proper parts.**

**There are no implied warranties of merchantability or fitness for a particular purpose.** There are no warranties, which extend beyond the description of the face hereof. ZEX™ will not be responsible for incidental and consequential damages, property damage or personal injury damages to the extent permitted by law. Where required by law, implied warranties or merchantability and fitness are limited for a term of (1) one year from the date of original purchase.

This warranty gives you specific legal rights and you may also have other legal rights, which vary from state to state.